

8 7 6 5 4 3 2 1

D

D

C

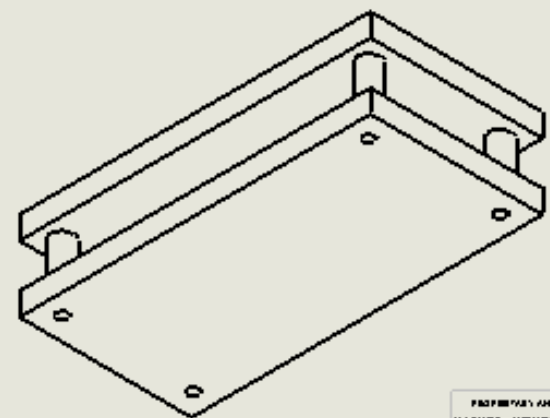
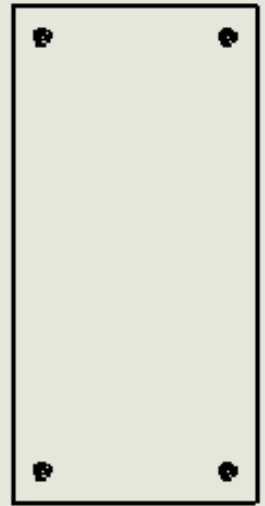
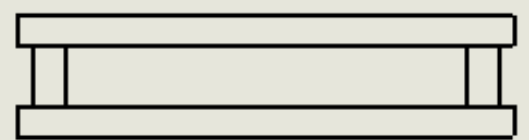
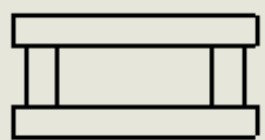
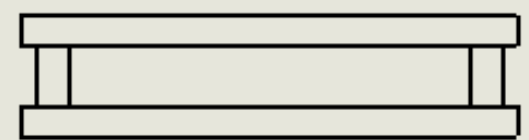
C

B

B

A

A



PROPERTIES AND COMMENTS
 1. THIS DRAWING IS THE PROPERTY OF
 2. ANY REPRODUCTION OR
 3. TRANSMISSION OF THIS DRAWING
 4. WITHOUT THE WRITTEN PERMISSION OF
 5. THE COMPANY IS PROHIBITED.

REVISED	ADD ON	DATE	BY

DRY	DATE

TITLE:	
SEE DWG. NO.	REV
B Assem Slide System -01	
SCALE: 1:2	WEIGHT: SHEET 1 OF 1

8 7 6 5 4 3 2 1